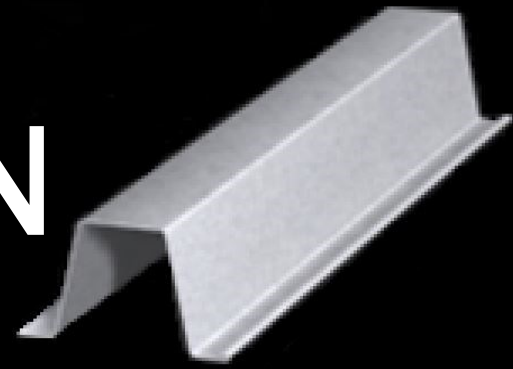


# battenMAN



## RB- 40 Top Hat Roof Battens

### BATTENMAN ROOFING BATTENS

**BattenMan RB-40 roof Purlins** are a direct replacement for timber purlins. They are light weight, dimensionally stable, accurate and straight. They expand and contract at the same rate as steel roofing products in extreme temperature changes. They can be fitted to both timber and steel trusses with Type 17 universal Tek's. Ideally suited to Timber framed homes, Steel Framed homes, Steel framed Buildings and Carports.

Our 40mm Purlins are designed for use with corrugate roofs or wall claddings. With spans of 1200mm at 900mm spacings they can be used in extra high wind zones and where snow loads are present. They are available in 0.75mm gauge G550 Z275 steel. Lengths are available from stock or you can choose to have them run cut to length to reduce waste on site.

### DURABILITY

All products are Z275 Galv coated backed by the manufacturers 50 year durability statement.

Purlins are manufactured from hot dipped galvanised steel with a coating weight of 275 gram/sqm, in line with other common lightweight steel structural building products.

This gives good protection in most exposed internal environments. Run off from, or contact with, materials which are incompatible with zinc should be avoided.

### HANDLING AND STORAGE

Roof Purlins must be kept dry during storage as water present between close stacked sections will cause premature corrosion. If they become wet they should be separated and stacked openly to allow for ventilation to dry the surface.

### LENGTHS

Roof Purlins are available in long run lengths up to 7.5 metres, depending on the available transport and handling facilities. 6.0 m Stock lengths are available from your local stockist.

### CUTTING

Cutting is preferably done by shear or hacksaw. When using abrasive disc blades care must be taken to ensure the swarf produced does not affect other materials and the burred edge should be cleaned off at the completion of cutting.

### ENVIRONMENT

Steel is 100% recyclable

### SAFETY

BattenMan top hat purlins are not designed for walking on. Residual oil may be present on these components from manufacturing. The use of appropriate cradles or cherry pickers is recommended.

As a minimum follow these rules;

- Never walk on purlins without safety nets installed.
- Always use a safety harness

### WELDING

Welding of BattenMan steel top hat roof purlins is not recommended. The heat produced in the welding process will affect the material properties of the high tensile cold formed steel.

### SPAN TABLE

#### SPAN PURLIN CONTINUOUS OVER MINIMUM TWO SUPPORTS

#### MAX CANTILEVER OVERHANG FOR SOFFIT TAKE 40% MAX SUPPORTED SPAN

Battens for Roof and Wall Claddings

40x73x0.75 Top Hat Section

Profiled Metal Roofings with wind loads as noted or 0.25 LL whichever worst case For connections to wood substrate Refer NZS3604:2011 for wind loadings. For connections to min 0.75 ga steel Connect with min 1-10 gauge screw for up to 0.50 kN/m, 2 per 1.0kN/m, 3 per 1.5kN/m, and 4 per 2.0kN/m	Table of max span vs spacings Pressure Factor Combinations kCpmax = + or - 2.0											
	Section Spacings (mm)											
	300mm Spacing			600mm Spacing			900mm Spacing			1200mm Spacing		
	Max Span (m)	Fixing to Truss/Rafter		Max Span (m)	Fixing to Truss/Rafter		Max Span (m)	Fixing to Truss/Rafter		Max Span (m)	Fixing to Truss/Rafter	
	Timber	Steel		Timber	Steel		Timber	Steel		Timber	Steel	
Medium wind 37m/s 0.821KpA	1.2	Type A	Type A	1.2	Type A	Type B	1.1	Type A	Type B	1.0	Type A	Type B
High wind 44m/s 1.160KpA	1.2	Type A	Type A	1.2	Type A	Type B	1.0	Type A	Type B	0.9	Type A	Type C
Very high wind 50m/s 1.500KpA	1.2	Type A	Type A	1.1	Type A	Type B	0.9	Type A	Type B	0.8	Type B	Type C
Extra high wind 55m/s 1.815KpA	1.2	Type A	Type B	1.0	Type A	Type B	0.9	Type B	Type C	0.8	Type B	Type D

For fasteners use a Type A, B, C, D fixing as noted below

Type A	1-Screw or 2-nails	Recommended Screw Type	Buildex 12 - 11 x 40 Hex Head BattenZips® Climaseal® 3 or equivalent from other supplier
Type B	2 Screws or 4 nails	Recommended Nail Type	To Timber only-90x3.15 Gun nail
Type C	3 Screws		
Type D	4 Screws		

Being minimum number of fasteners required to fix batten to the rafter or truss at truss/batten location

### PS 1

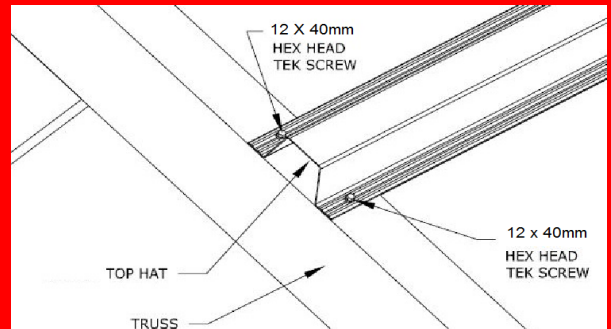
A Generic PS1 for the product is available upon request. If required our engineer can provide job specific PS1's at your cost.

### BATTEN FIXING:

#### Batten to timber fixing:

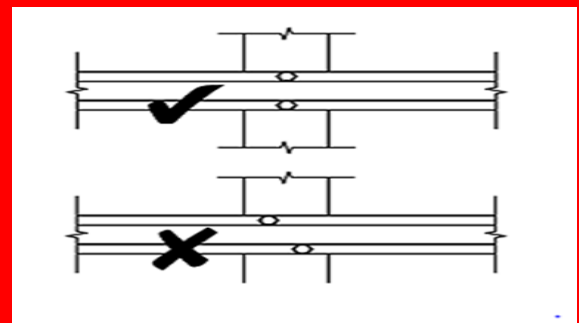
**Metal truss fixing:-** Fasten the batten to every truss or rafter with two 10 x 25mm universal TEK screws

**Wood truss fixing: -**Fasten the batten to every truss or rafter with two 12 x 40 mm T17 screws



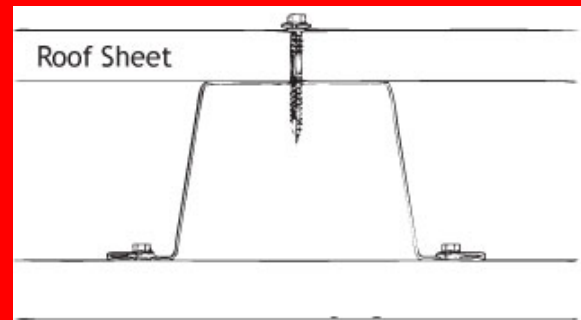
#### Screw fixing alignment:

Pairs of screws at connections must be directly in line (parallel with the supporting member).



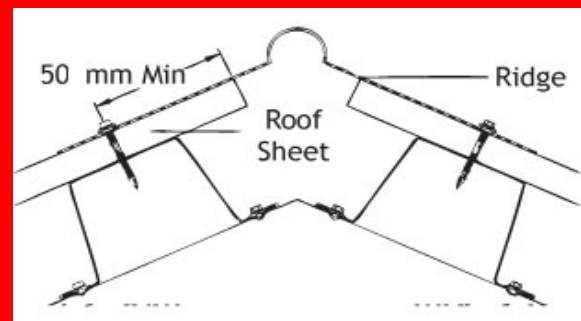
#### Fixing the Roof Sheets:

Roofing sheets are fixed to the battens with self-drilling screws .

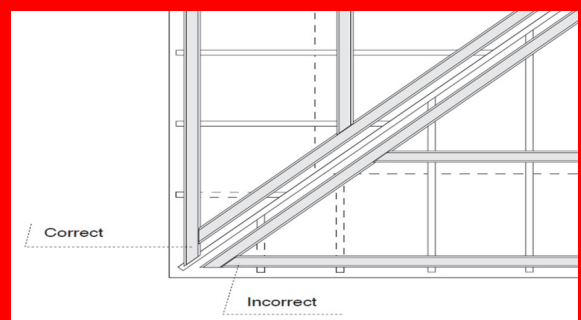


#### Fixing the Ridge:

Ridge fixing must be a min of 50mm from end of roof sheet.



#### Hips & Corners:



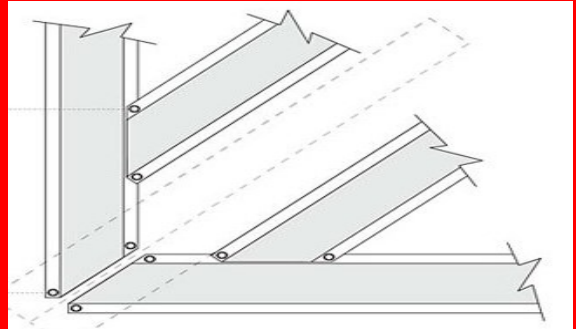
# battenMAN

## RB-40 ROOF BATTENS

### FIXING DETAILS ( Continued )

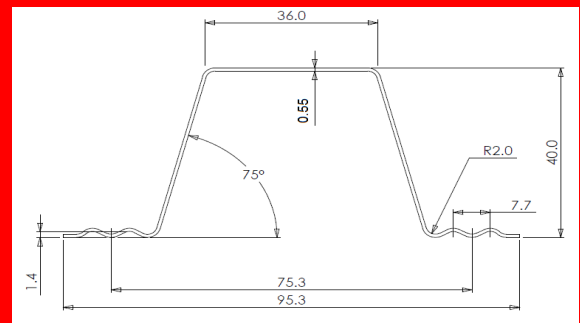
#### Corner mitre cut

Fasten the hip or valley batten intersections to horizontal battens on metal trusses with two 10 x 25mm universal TEK screws or two 12 x 40 mm T17 screws when fixing to wood trusses. We recommend Buildex Batten Zips or a Unitek type screw as noted in the Span Table.



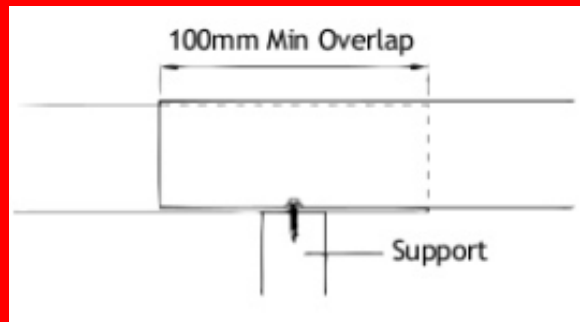
#### BattenMan RB-40 .Roof batten

BattenMan 40 mm steel Roof battens are manufactured from 0.75 gauge, Z275 G550 New Zealand steel.



#### Lapping battens.

To minimise cutting lay the battens in one direction starting from one end of the roof. The overlap must be supported by a truss or rafter. The minimum overlap is 100mm.



### ACCESSORIES AND TOOLS:

#### INSTALLING BUILDING PAPER:

The GRAB STICK™, a magnetic tool to clamp insulating paper to the battens, is winning over roofing contractors who say it makes working with steel battens substantially easier and quicker than using traditional battens.



#### ROOFING UNDERLAY:

Any roofing underlay, Kraft or synthetic is approved for use with steel roof battens



# battenMAN

RB-40 ROOF BATTENS



**Batten Manufactures Ltd**  
**106 Birch Avenue**  
**Tauranga**  
**[www.battenman.co.nz](http://www.battenman.co.nz)**  
**Email: [sales@battenman.co.nz](mailto:sales@battenman.co.nz)**

